

Proportional Pneumatic Joystick Controls



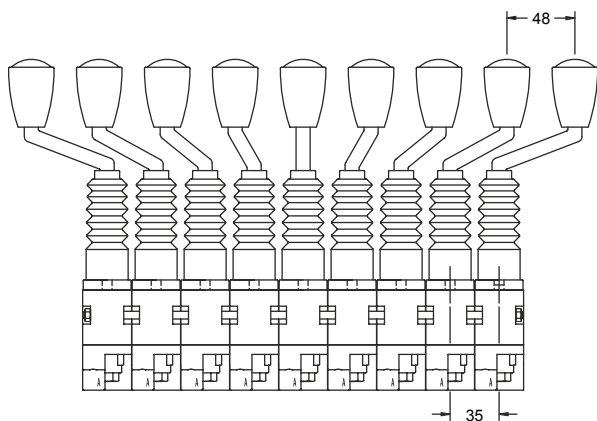
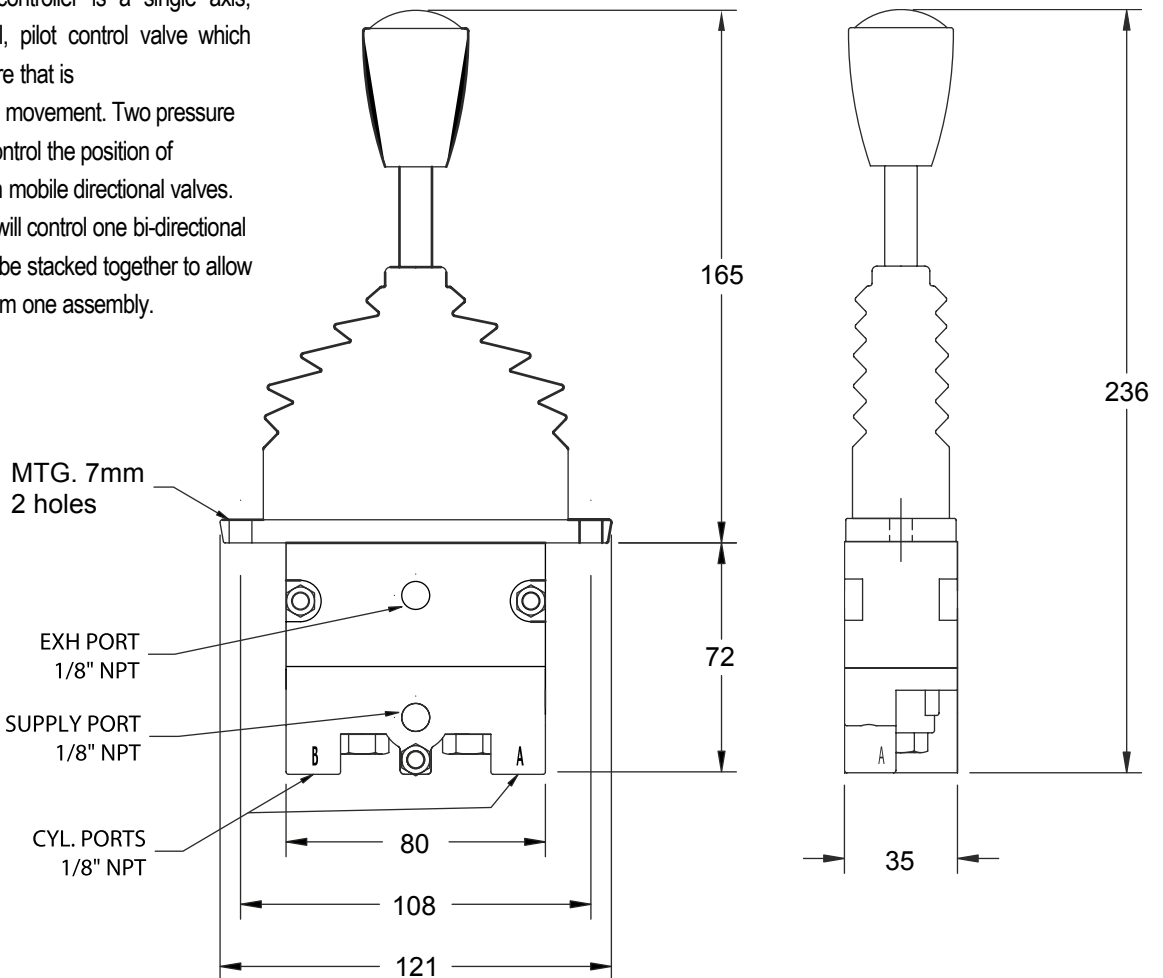
JRsystems

CONTROLS

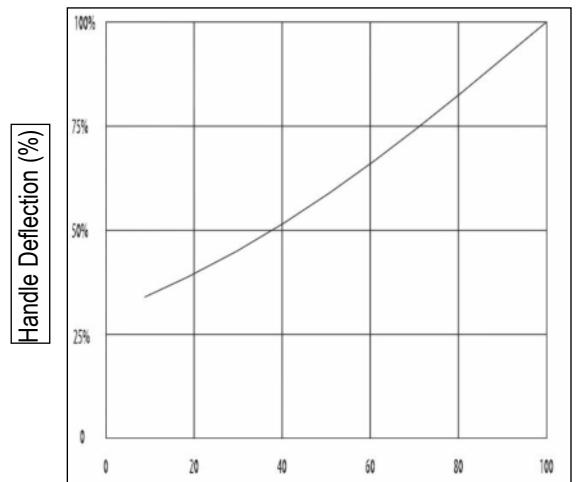
PNEUMATIC JOYSTICKS 866000 Series

• Single Axis

The 866000 Series controller is a single axis, pneumatic proportional, pilot control valve which gives an output pressure that is proportionate to handle movement. Two pressure regulated work ports control the position of pneumatic actuators on mobile directional valves. Each 866000 joystick will control one bi-directional valve section and may be stacked together to allow multi-section control from one assembly.



Various Handle Bends available



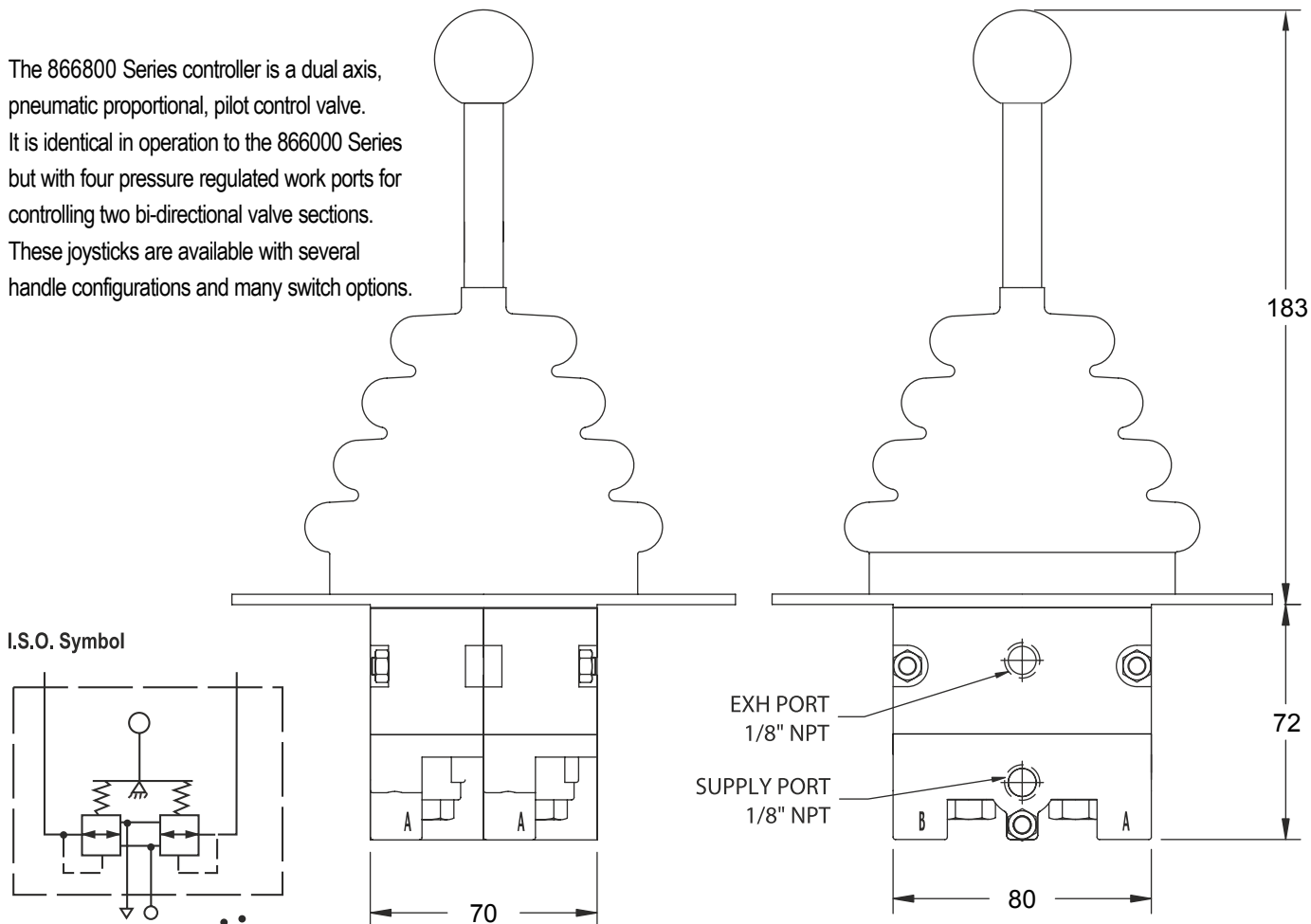
Relative Output Pressure (psi)
*Maximum supply pressure = 150 psi

NOTE: units in mm

PNEUMATIC JOYSTICKS 866800 Series

• Dual Axis

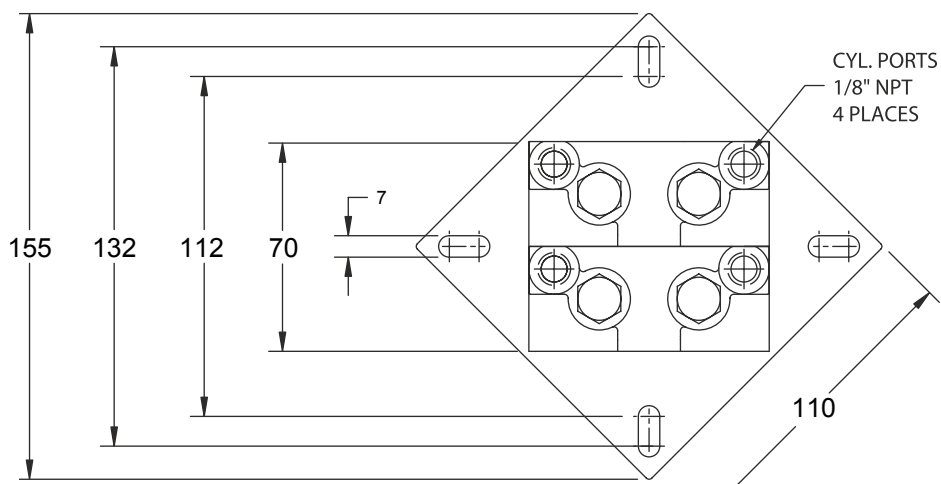
The 866800 Series controller is a dual axis, pneumatic proportional, pilot control valve. It is identical in operation to the 866000 Series but with four pressure regulated work ports for controlling two bi-directional valve sections. These joysticks are available with several handle configurations and many switch options.



Options:

- Side or bottom work ports at 1/8" npt - 866 000/800
- Detent pos. A, pos. B, center or combination
- Many handle styles/switch options - 866 000/800

For other available options consult factory.



The Manufacturer reserves the right to make changes without notice.

866800 - Mounting Plate Dimensions

CONTROLS

PNEUMATIC JOYSTICKS 866000 Series

• Technical data

Connections:	1/8 NPT.
Max supply pressure:	10 bar (145psi).
Max control pressure:	8 bar (116psi)
Flow capacity:	7 NI/s(14,8 cfm free flow.
Hysteresis:	Max 1 Bar (14,5 psi).
Lever force:	3,1Nm, (2,29lbf-ft), (actuated).
Weight:	0,8kg/section (7,76lb).
Min ambient temperature:	-30°C(86°F) (Assuming dry air or use of agent to reduce freezing point).
Max ambient temperature:	+70°(158°F).
Filtration:	max 20um or better. Air quality determines service life of the valve.
Material :	
Valves	brass.
Plunch bearing	Nylon.
Plunch	Stainless steel.
Sealings	NBR, 70 shore.
Top plate	Zink die cast.
Body	Plastic injection molded.
Body lower part	Zinc die cast.
Screws, nuts	steel, galvanized.
Hex head plugs	Aluminium, anodized.