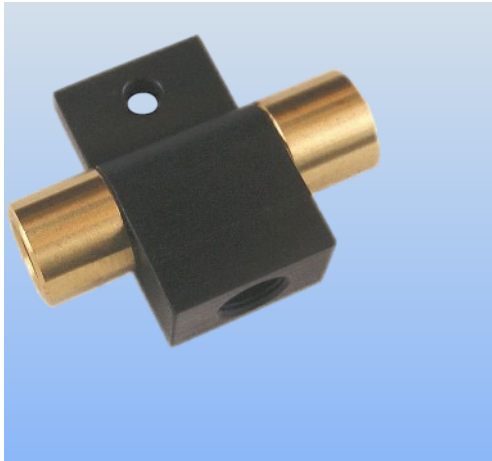
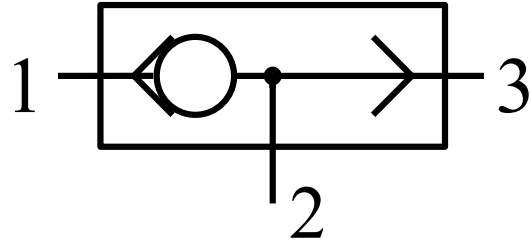


# PNEUMATIC VALVES

## Shuttle valve



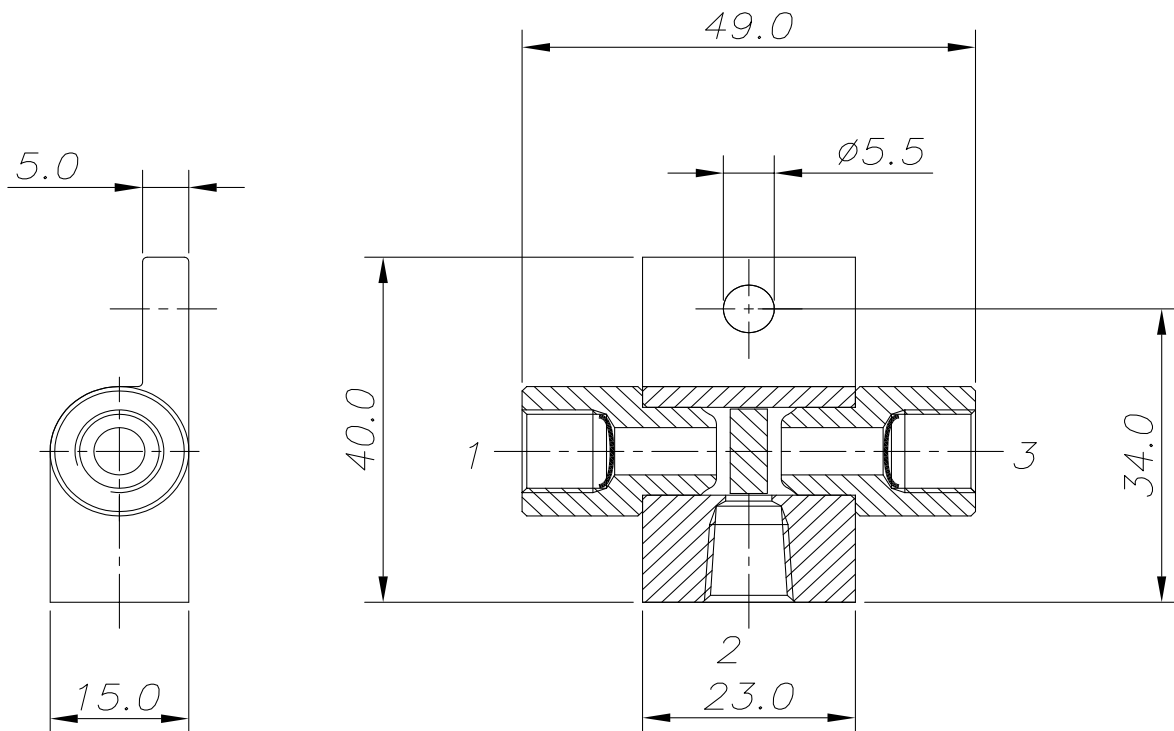
Pneumatic valve series 874800.  
Operating pressure, 1-10 Bar.



### Selection table

Part no:		Description
874800	—	Shuttle valve
—	—	—
—	—	—
—	—	—
—	—	—

### Dimensions



Housing: aluminium, anodized black.  
Side connections: brass.  
Piston: Viton.  
Weight: 55g.

### Connections

1	In	G 1/8"
2	Out	G 1/8"
3	In	G 1/8"