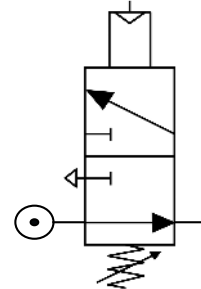


# PNEUMATIC VALVES

## Relay valve

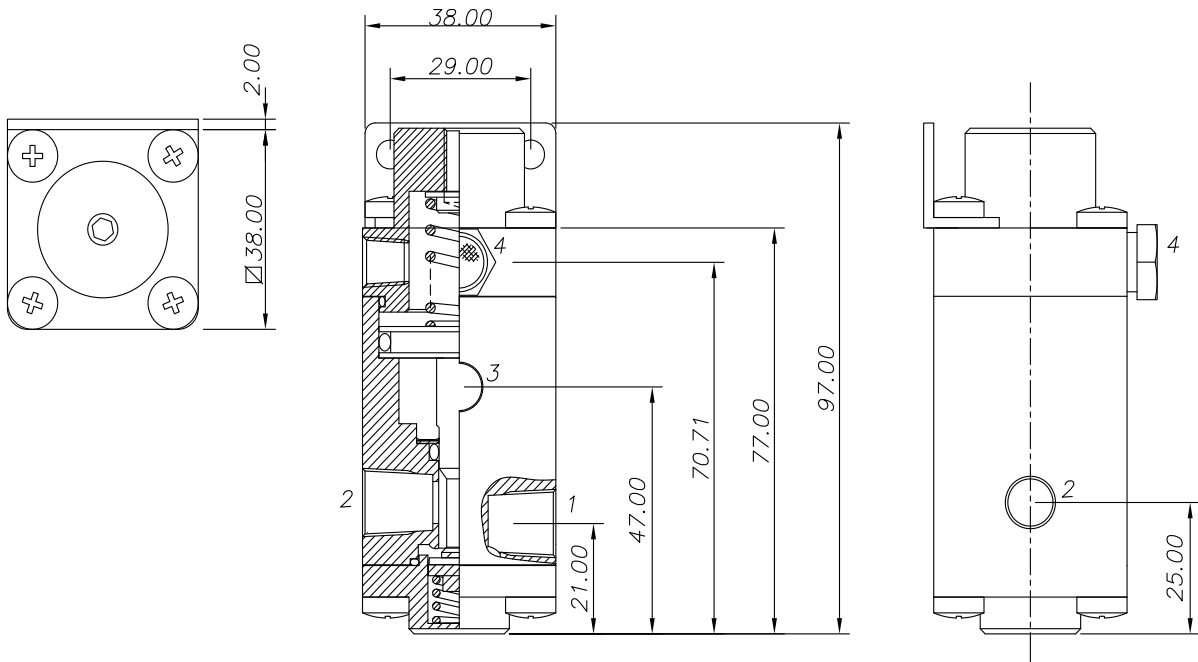
Pneumatic valve series 874700.  
 Operating pressure, 3-10 Bar.  
 Pilot pressure:  
 To close and exhaust, 2-2,5 bar.  
 To open, 1-1,5 bar.



### Selection table

Part no:		Description
874700	–	Relay valve normally closed.
874710	–	Relay valve normally open.
874720	–	Relay valve normally open, adjustable.
–	–	–
–	–	–

### Dimensions



Housing: aluminium, anodized.  
 Sealings (o-rings): NBR, Piston seal: Viton.  
 Piston rod: stainless steel.  
 Weight: 240g.

### Connections

1	Inlet	G 1/4"
2	Outlet	G 1/4"
3	Pilot	G 1/8"
4	Exhaust	G 1/8"