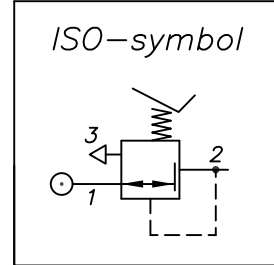


# PNEUMATIC VALVES

## Pneumatic treadle valve

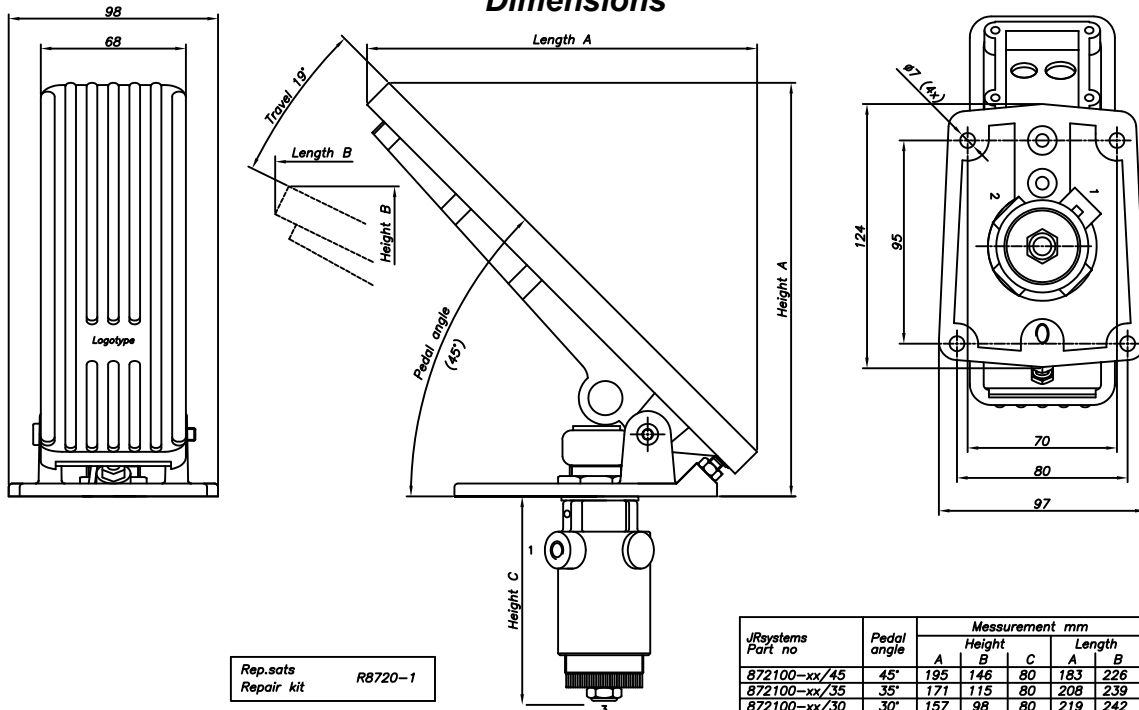
Pneumatic Pedal series 872xxx.  
Operating pressure, 4-10 Bar.  
Regulated output proportional, 0-8 Bar



### Selection table

Part no:		Description
872100	-42/45	Pneumatic treadle valve, 0-4,2 Bar, Pedal angle 45.
872100	-42/35	Pneumatic treadle valve, 0-4,2 Bar, Pedal angle 35.
872100	-42/30	Pneumatic treadle valve, 0-4,2 Bar, Pedal angle 30.
872100	-59/45	Pneumatic treadle valve, 0-5,9 Bar, Pedal angle 45.
?	?	Other versions available on request

### Dimensions



Valve housing: brass,  
Treadle assembly: aluminium die-cast.  
Sealings (o-rings): NBR, Piston: Viton.  
Piston rod: stainless steel/brass.  
Weight: 1300g.

### Connections

1	In	G 1/8"
2	Out	G 1/8"
3	Exhaust	Filter