

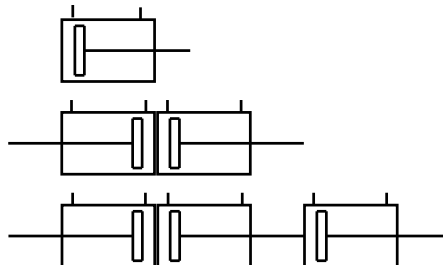
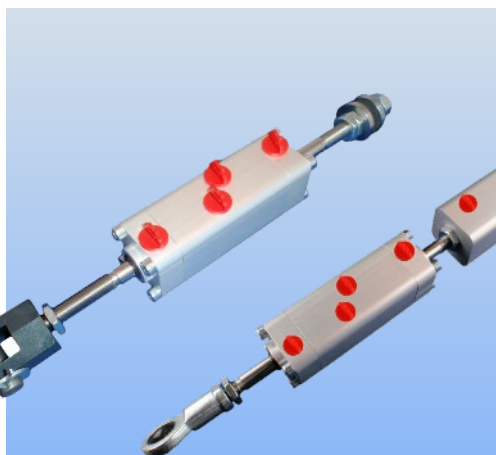
PNEUMATIC CYLINDERS

Cylinder 32mm

Pneumatic cylinder series 87013x-xxx.

Operating pressure, 3-10 bar.

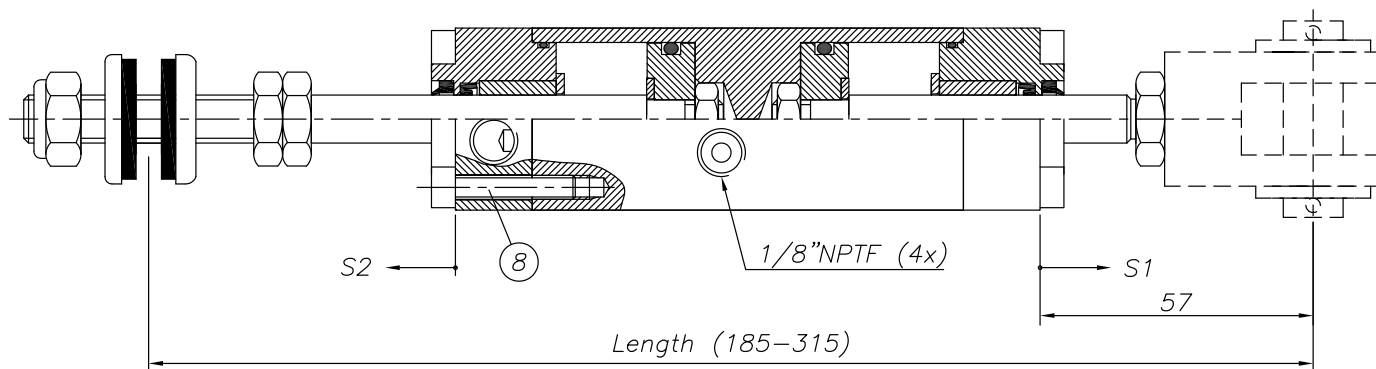
Available in versions, from two up to seven positions.



Selection table

Part no:		Description	Length
870132	-005	188mm, 2-pos, s=25,4mm	188 mm
870132	-006	200mm, 2-pos, s=22,4mm	200 mm
870133	-001	266mm, 3-pos, s1=11,2/s2=11,2	266 mm
870133	-002	300mm, 3-pos, s1=12,7/s2=12,7	300 mm
870133	-004	282mm, 3-pos, s1=19,1/s2=19,1	282 mm
870133	-007	300mm, 3-pos, s1=17,3/s2=17,3	300 mm
870133	-009	295mm, 3-pos, s1=9,5/s2=9,5	305 mm
870133	-011	243mm, 3-pos, s1=17,3/s2=17,3	243 mm
870133	-012	220mm, 3-pos, s1=12,7/s2=12,7	220 mm
870133	-015	270mm, 3-pos, s1=12,7/s2=12,7	270 mm
		Other versions available on request	

Dimensions



Body: aluminium, anodized.

Sealings (o-rings): NBR

Piston: POM.

Piston rod: stainless steel.